

SKU: SV5216

- 🇬🇧 VOLT Miniature Direct Acting Stainless Steel Solenoid Valve
- 🇩🇪 VOLT Miniatur- Direkt Acting Edelstahl -Magnetventil
- 🇪🇸 VOLT Válvula de solenoide de acero inoxidable en miniatura de acción directa
- 🇫🇷 VOLT Miniature action directe en acier inoxydable Electrovanne

**Valves**<sup>™</sup>  
O N L I N E

- 1/8 " Normally Closed Direct Acting
- 1/8 " Normalerweise geschlossen Direkt wirkend
- 1/8 " Normalmente cerrado de acción directa
- 1/8 " Action directe Normalement fermé

**Stainless Steel**  
**2 Way, 1/8" Port**  
**0-20 Bar**

**Normally Closed**



- Media : air – water – light oil – vacuum
- Pressure range: 0 to 20 bar max
- Media temperature: 80°C max
- Ambient temperature -10° to +50°C
- Media viscosity: 40 centistokes max
- Mounting: any position
- Weight including coil: 125g
- Opening / Closing time: 15 milli sec. max
- Body AISI 303 Stainless Steel
- Seal material: FKM



#### Description

Miniature 2/2 solenoid valve for mildly aggressive and more difficult media. Direct acting with a body in stainless steel and FKM seals fitted as standard. Screwed BSP. Temp up to 80°C



#### Beschreibung

Miniatur 2/2 Magnetventil für leicht aggressive und schwieriger Medien. Direkt wirkende mit einem Gehäuse aus Edelstahl und FKM-Dichtungen serienmäßig . Geschraubt BSP . Temp bis 80 ° C



#### Descripción





Miniatura 2/2 válvula de solenoide para medios poco agresivos y más difíciles . de acción directa con un cuerpo de juntas de acero inoxidable y FKM instalados de serie . Rosca BSP . Temperatura hasta 80°C



#### Description

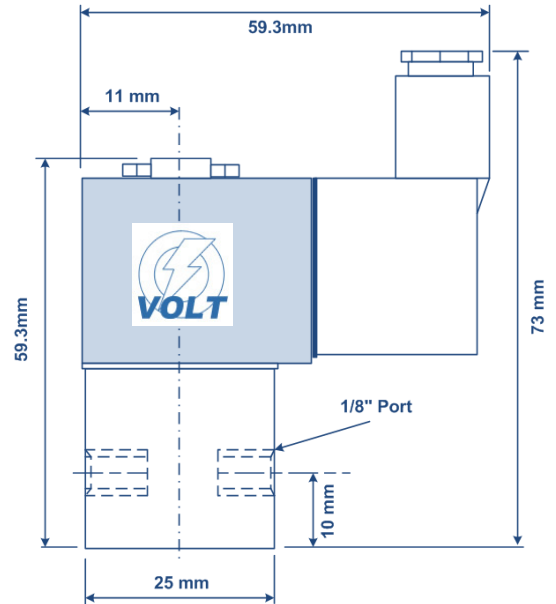
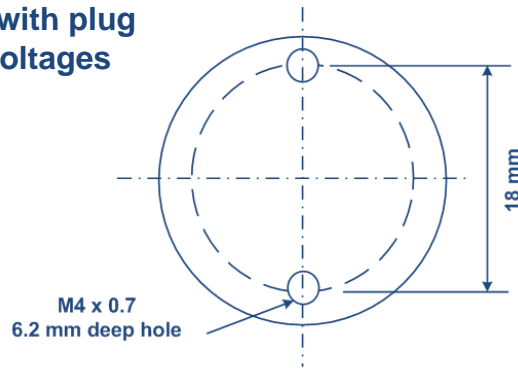
Miniature 2/2 électrovanne pour les médias modérément agressifs et plus difficiles . action directe avec un corps en acier et FKM inoxydable montés en standard . Vissé BSP . Temp jusqu'à 80°C



-  VOLT Miniature Direct Acting Stainless Steel Solenoid Valve
-  VOLT Miniatur- Direkt Acting Edelstahl -Magnetventil
-  VOLT Válvula de solenoide de acero inoxidable en miniatura de acción directa
-  VOLT Miniature action directe en acier inoxydable Electrovanne

## 2/2 Stainless Direct Acting Solenoid Valve

- Direct Acting
- Normally Closed
- Good for Air and Liquids
- Supplied with plug
- Various Voltages



SPECIFICATIONS							
Port BSPT	Orifice mm	Flow Kv Ltr/min	Pressure Rating (Bar)			Seals	Max Media Temp
			Min	Max AC	Max DC		
1/8"	1.6	1.6	0	20	17	FKM	80
	2.4	2	0	9	5		

Construction	
Body	AISI303 Stainless Steel
Tube & Internal Parts	AISI 304 Stainless Steel
Head & Plunger	430 Fr Stainless Steel
Shading Ring	Copper
Seals and gaskets	FKM
Moulded Coil	Resin

IP65 Coil & Connector PG9 – DIN 43650 B  
 IP65 Coil with 30 cm Flying lead  
 NPT Thread  
 ATEX 22001EX Coil: ATEX EExmII T4 II 2G & 2D  
 IP65 T130°C (50%Reduction in Working Pressure)

Seal Material	
80° C	FKM

Electrical Data						
Voltage (-10% + 15%) Continuous duty 100%	Coil	Power Consumption		Insulation Class	IP Rating With Connector	Electrical Connections
		Inrush	Holding			
24 - 48 - 110 - 230 - 415 (50 or 60 Hz)	22001	11.6VA	8.5VA	F 155°C	IP65 with connector	3 Spades DIN43650B DIN 40050 VDE 0110
12 - 24 - 48 - 110 (DC)		4.8 Watts				